

GLOB VANA (DÜZ TİP)

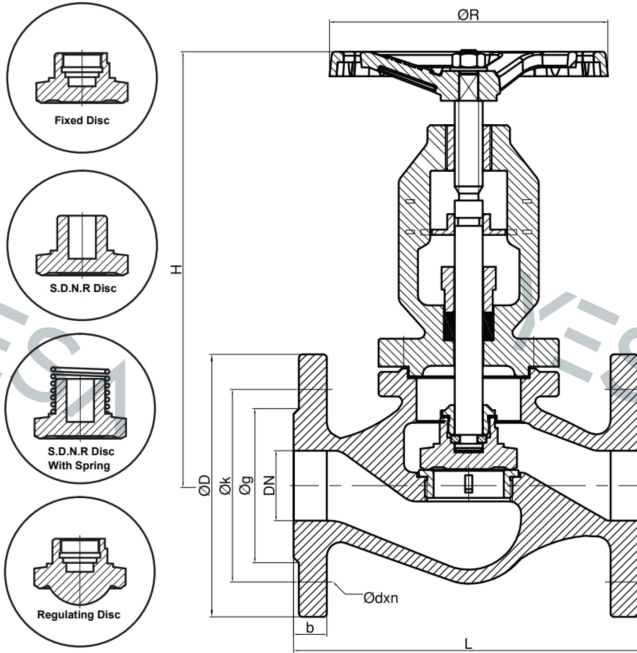
GLOBE VALVE (STRAIGHT TYPE)

Deniz suyu, tatlı su, yağ ve 220°C kadar buhar devrelerinde ideal çözümler sunar.

Sea water, fresh water, oil, and steam up to 220°C systems.

Çalışma Basıncı/Working Pressure: PN16/PN25/PN40

Çalışma Sıcaklığı/Working Temp: -10°C/+220°C



PARÇA ADI	PARTNAME	MATERIAL
GÖVDE	BODY	GG25 /GGG40.3/GSC-25/RG5-10/CF8/CF8M
KAPAK	BONNET	GG25 /GGG40.3/GSC-25/RG5-10/CF8/CF8M
SİT	SEAT	AISI 420/BRONZE
MİL	STEM	AISI 420/MS58
KLAPE	DISC	AISI 420/RG5
RİNG	RİNG	AISI 420/RG5
EMNİYET PULU	WASHER SAFETY	MS58/AISI 420
CONTA	GASKET	KLINGERIT / GRAPHITE
SETUSKUR	SCREW	AISI 304
SALMASTRA	PACKING	GRAPHITE
GLEN	GLAND	GGG40.3
T CİVATA	T BOLT	6.8 STEEL
CİVATA	BOLT	8.8 STEEL
HENDİL	HANDWHEEL	GG25
SOMUN & PUL	NUT & WASHER	STEEL

DN	ØD	Øk	Øg	L	b	ØR	H	Ødxn	KG
15	95	65	45	130	14	110	202	14X4	4.11
20	105	75	58	150	16	110	202	14X4	5.11
25	115	85	68	160	16	110	211	14X4	6.4
32	140	100	78	180	18	140	216	18X4	7.75
40	150	110	88	200	18	140	249	18X4	10.06
50	165	125	102	230	20	160	254	18X4	13.06
65	185	145	122	290	20	160	271	18X4	18.41
80	200	160	138	310	20	200	311	18X8	22.13
100	220	180	158	350	24	220	344	18X8	36.7
125	250	210	188	400	26	250	420	18X8	55
150	285	240	212	480	26	300	498	22X8	77.5
200	340	295	268	600	30	400	550	22X12	140
250	405	355	320	730	32	500	585	26X12	200
300	460	410	370	850	32	500	640	26X12	250
350	520	470	430	980	36	500	875	26X16	385
400	580	525	482	1100	38	500	955	29.5X16	408