

EMNİYET VENTİLİ (TAM KALKIŞLI)

SAFETY VALVE (FULL LIFT)

Doymuş buhar sistemlerinde kullanılır.

Used in saturated steam applications.

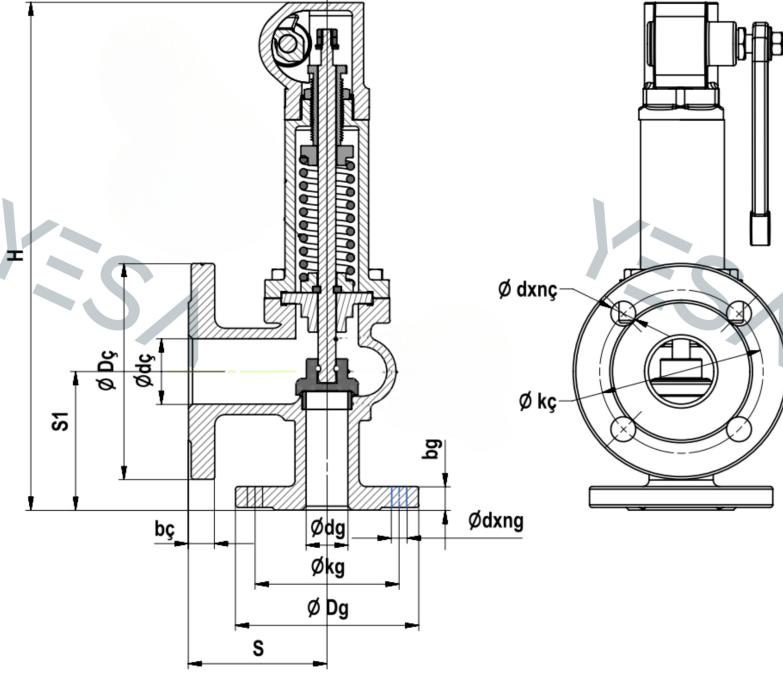
Çalışma Basıncı/Working Pressure: PN16

Çalışma Sıcaklığı/Working Temp:

16Bar: -10°C/+120°C

13Bar: -10°C/+200°C

10Bar: -10°C/+300°C



PARÇA ADI	PART NAME	MATERIAL
GÖVDE	BODY	GGG40
KAPAK	BONNET	GGG40
YAY	SPRING	AISI 302
SİT	SEAT	AISI 304
KLAPE	DISC	AISI 304
MİL	STEM	AISI 304

ÖLÇÜ	S	S1	H	Dg	Dç	dg	dç	kg	kç	bg	bç	dxng	dxnç	KG
DN25/40	100	105	410	115	150	25	40	85	110	16	18	14x4	19x4	13
DN32/50	110	115	435	140	165	32	50	100	125	18	20	19x4	19x4	16
DN40/65	115	140	470	150	185	40	65	110	145	18	20	19x4	19x4	18
DN50/80	120	150	490	165	200	50	80	125	160	20	22	19x4	19x8	21
DN65/100	140	170	580	185	220	65	100	145	180	20	24	19x4	19x8	33
DN80/125	160	195	755	200	250	80	125	160	210	22	26	19x8	19x8	50
DN100/150	180	220	860	220	285	100	150	180	240	24	26	19x8	23x8	70